

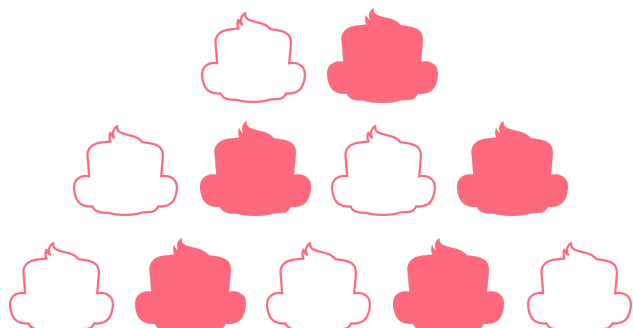


Primary 4 Singapore National Day Worksheet

For the answer key, go to
blog.sparkedu.com/singapore-national-day-worshheets.sg



1 What fraction of the items are **unshaded**?



(1) $\frac{1}{2}$

(2) $\frac{5}{6}$

(3) $\frac{6}{11}$

(4) $\frac{6}{11}$

2 Write a mixed number in its simplest form to represent the shaded parts.



3 Which of the following figures has more than one line of symmetry?



Figure A

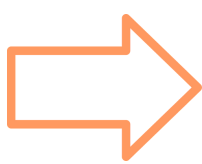


Figure B

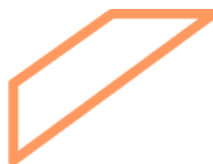


Figure C

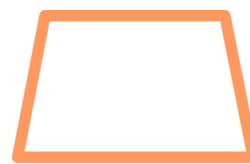
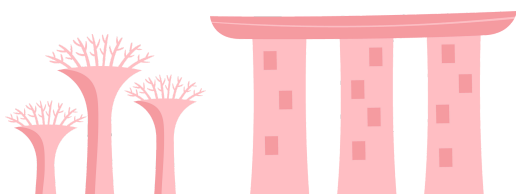
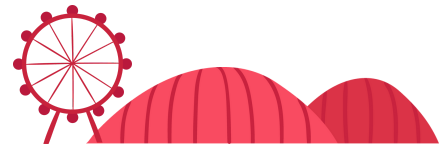
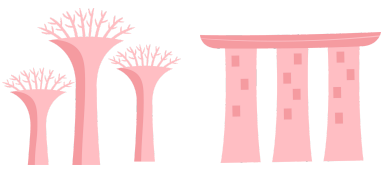


Figure D

4 How many of the letters below have at least one line of symmetry?

S I N G A P O R E





- 5 During the National Day Parade, $\frac{1}{2}$ of the audience were children and $\frac{4}{12}$ of them were men. The rest were women.

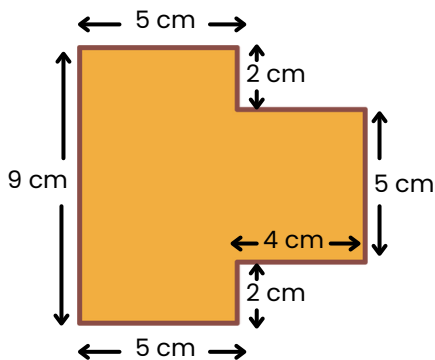
What fraction of the audience were women? Express your answer as a fraction in its simplest form.



- 6 There are 560 books in a library. $\frac{4}{7}$ of them are English books, $\frac{1}{7}$ of them are Malay books and the rest are Chinese books.

- (a) How many English books are there?
(b) How many non-English books are there?

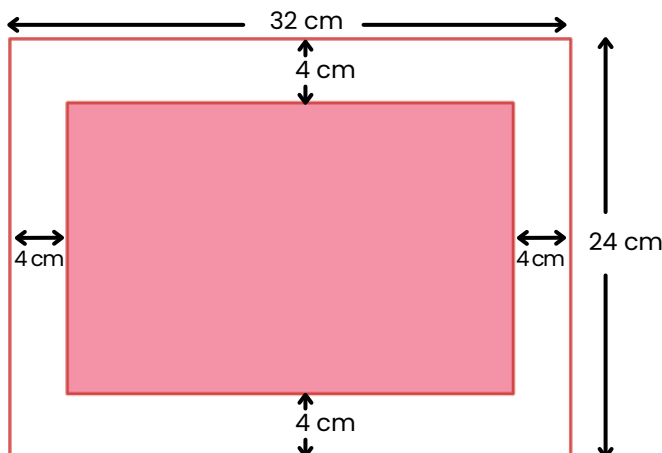
- 7 Find the area and the perimeter of the figure below. (All lines meet at right angles.)



Area = _____

Perimeter = _____

- 8 Find the area of the shaded part. (All lines meet at right angles.)



Scan for a FREE math test & report



Success Beyond Just Math

Nurture problem-solving and critical thinking skills for lifelong success.